

# ROTEL *hifi*

## RB-985

5 CHANNEL POWER AMPLIFIER

# Technical Manual

### TABLE OF CONTENTS

Chassis Layout.....	1
Service to the Transformer.....	1
Specifications.....	2
Adjustment.....	2
PC Board Ass'y Parts List.....	3
Wiring Diagram.....	6
Schematic Diagram.....	8
Printed Circuit Boards.....	14

**THE ROTEL CO., LTD.**

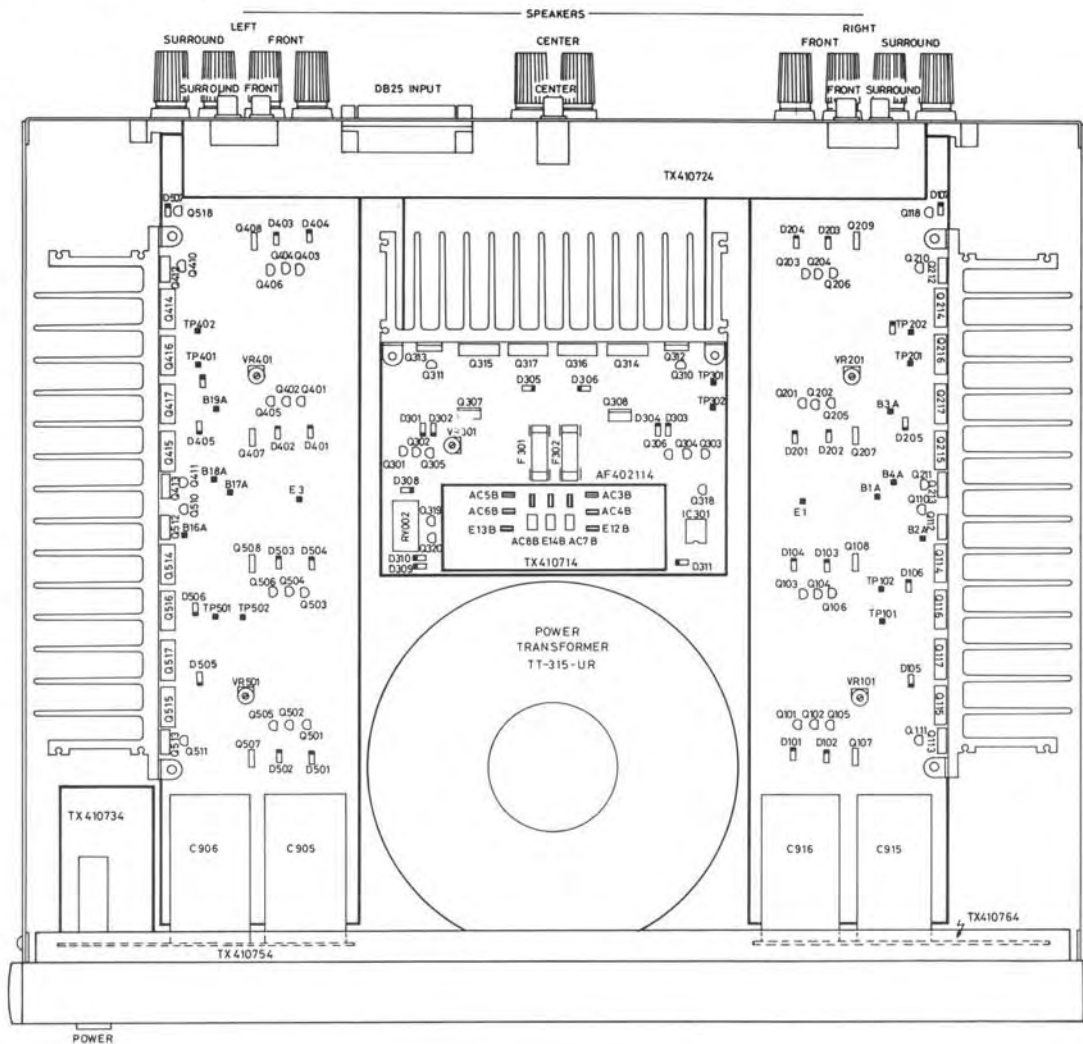
1-36-8, OHOKAYAMA, MEGURO-KU, TOKYO 152, JAPAN

**ROTEL ELECTRONICS CO., LTD.**

3F-2, NO.35, FU HSING NORTH ROAD, TAIPEI, TAIWAN, REPUBLIC OF CHINA

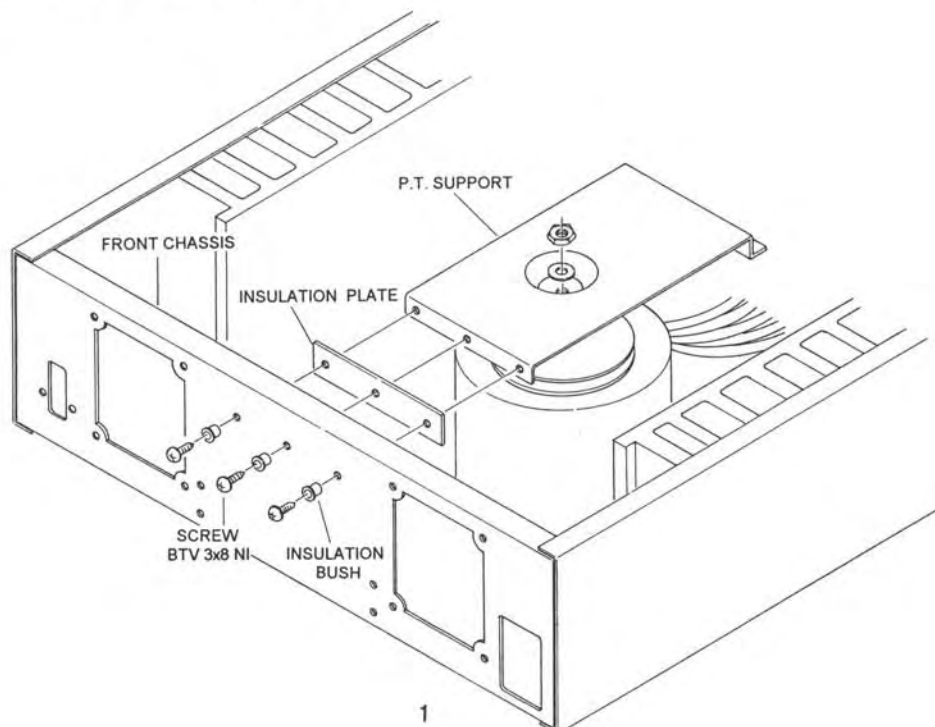
MN20002292

# Chassis Layout



## IMPORTANT

When replace the Power Transformer, please ensure to fit back the Insulation Bush and Insulation Plate between the Front Chassis and P.T. Support to keep them insulation completely. See the following illustration.



**SPECIFICATIONS: RB 985 5 CHANNEL POWER AMPLIFIER**

Continuous Power Output	100 watts/ch (20-20kHz 8 ohms, $\leq 0.03\%$ THD)
DIN Output	220 watts/ch (1 kHz 4 ohms, 1% THD)
Total Harmonic Distortion (20 Hz-20,000 Hz)	< 0.03%
Intermodulation Distortion (60 Hz : 7 kHz, 4:1)	< 0.03%
Frequency Response	10-80,000 Hz, $\pm 0.5$ dB
Peak Current Output (0.1 ohm load, 10 microseconds, 1 pulse)	40 Amps
Damping Factor (20-20,000 Hz, 8 ohms)	180
Speaker Impedance	4 ohms minimum
Signal to Noise Ratio (IHF A network)	115 dB
Power Amplifier Input Impedance	27 k Ohms
Power Requirements	115 Volts, 60 Hz <i>or</i> 230 Volts, 50 Hz
Power Consumption, Max.	800 Watts
Dimensions	440 mm (W) x 139 mm (H) x 396 mm (D) 17-3/8" (W) x 5-1/2" (H) x 15-5/8" (D)
Weight	15.5 kg's, 34.1 lbs

All specifications are accurate at the time of printing. Rotel reserves the right to make improvements without notice.

THX and the THX logo are registered trademarks of Lucasfilm Ltd.

**Power Amplifier Bias Adjustment**

Instruments:DC milli-voltmeter

Notes:Please power switch on and adjust the DC milli-voltmeter to 5 mV.

Step	Coupling		Adjust	Adjust for
	Plus Lead	Minus Lead		
1	TP102	TP101	VR101	DC milli-voltmeter reads 5 mV
2	TP202	TP201	VR201	
3	TP301	TP302	VR301	
4	TP401	TP402	VR401	
5	TP501	TP502	VR501	

# Parts List

NOTE: THE COMPONENTS IDENTIFIED BY  $\Delta$  MARK ARE FOR SAFFTY. REPLACE ONLY WITH ORIGINAL PARTS. DO NOT SUBSTITUTE.

SYMBOL	PARTS NO.	DESCRIPTION
	TX410734 PCB ASSEMBLY	
C801 SW01	CK00000035 SH40000167	SPARK KILLER DE7150F472M $\Delta$ POWER SW C-4176A02 TV-8 $\Delta$
	TX410744 PCB ASSEMBLY	
DD701-705	DD40000095	LED SEL1124R
	TX410754 PCB ASSEMBLY	
R901, 902 R903, 904 R905 C901-904 C905, 906	RM15601220 RM93301220 RM53321814 CC41009164 CE11503449	R, METAL 5.6K 2W R, METAL 3.3K 2W R, METAL 3.32K 1/4W CAP, CERAMIC 0.01uF 500V CAP, ELEC. LPW153M1JQ70VUM
C907, 908 C909, 910 D901 D902-905 D906, 907	CE02205449 CE41005257 DD10000524 DD80000010 DD20000570	CAP, ELEC. 220uF 63V CAP, ELEC. 100uF 25V DIODE BRIDGE MP-254W DIODE DETECT IN4003-TB DIODE ZENER RD15JS-T1
F901-904	FU25000041 FU23000219	FUSE 125V 6A UL $\Delta$ FUSE 250V T6.3A S $\Delta$
	TX410764 PCB ASSEMBLY	
R906, 907 R908-911 C911-914 C915, 916 C917, 918	RM15601220 RM93301220 CC41009164 CE11503449 CE02205449	R, METAL 5.6K 2W R, METAL 3.3K 2W CAP, CERAMIC 0.01uF 500V CAP, ELEC. LPW153M1JQ70VUM CAP, ELEC. 220uF 63V
D908-911 D912 D913-916 F905-908	DD80000010 DD10000524 DD20000570 FU25000041 FU23000219	DIODE DETECT IN4003-TB DIODE BRIDGE MP-254W DIODE ZENER RD15JS-T1 FUSE 125V 6A UL $\Delta$ FUSE 250V T6.3A S $\Delta$
	TX410774 PCB ASSEMBLY	
Q109 Q209 Q309 Q409 Q509	TR40000161 TR40000161 TR40000161 TR40000161 TR40000161	TRANSISTOR 2SD1953 TRANSISTOR 2SD1953 TRANSISTOR 2SD1953 TRANSISTOR 2SD1953 TRANSISTOR 2SD1953
	AF401214 PCB ASSEMBLY	
R401 R402 R403 R404 R405-407	RL81001610 RL84700614 RL83302613 RM81651618 RL81501618	R, METAL MK2001KFE R, METAL MK2470RFE R, METAL MK2033KFE R, METAL MK21K65FECZ. R, METAL MK201K5FE
R408 R409, 410 R411 R412, 413 R414	RM89760615 RL82200614 RL84702611 RL81000671 RL81202615	R, METAL MK2976RFEFECZ. R, METAL MK2220RFE R, METAL MK2047KFE R, METAL MK2100RFE R, METAL MK2012KFE
R415 R416 R417, 418 R419 R420-423	RL84701618 RM82802616 RL81001610 RL84709617 RS20228230	R, METAL MK204K7FE R, METAL MK228K0FECZ. R, METAL MK2001KFE R, METAL MK2047RFE R, SQUARE TYPE MPC70-0.22
R424 R425, 426 R427 R428 R429, 430	RM93508226 RL83309619 RM51210818 RM52210814 RL81004611	R, METAL 3.5J 2W R, METAL MK2033RFE R, METAL 121 F 1/4W R, METAL 221 F 1/4W R, METAL MK2001MFE
R431, 432 R433 C401 C402	RL81003618 RL84703615 CE54707478 CP76811359	R, METAL MK2100KFE R, METAL MK2470KFE R, METAL 50BGF4R7M CAP, P.P 100V 680P

SYMBOL	PARTS NO.	DESCRIPTION
C403	CS32211306	CAP, POLYSTYRENE 160V 220PF
C404 C405 C406 C407, 408 C409	CE51005679 CE51006477 CS33311310 CS32211306 CC45013484	CAP, ELEC. 25BGF100M CAP, ELEC. 50BGF10M CAP, POLYSTYRENE 160V 330PF CAP, POLYSTYRENE 160V 220PF CAP, CERAMIC 50V 5PF
C410 C411, 412 C413 C415, 416 C417, 418	CP62208330 CE01005635 CE42206507 CM11008422 CE41006500	CAP, M.P. 100V 0.22uF K CAP, ELEC. 63V 100uF CAP, ELEC. 50V 22uF CAP, MYLAR 50V 104 J CAP, ELEC. 50V 10uF
VR401	RV40000022	R, SEMI-FIXED VM6CKPV-1S-B 2.2K
RY003 L401 D401-404	LY00000277 LC23310002 DD80000021	RELAY RY-24W-K $\Delta$ ANTI-PARASITIC COIL TRL-331 DIODE DETECT IN4148-86
D405, 406 D410 IC401 Q401, 402 Q403-405	DD80000010 DD80000021 IC00000019 TR31000083 TR11000039	DIODE DETECT IN4003-TB DIODE DETECT IN4148-86 IC LA6458D TRANSISTOR 2SC2362F TRANSISTOR 2SA1016F
Q406 Q407 Q408 Q410 Q411	TR31000083 TR10000217 TR30000571 TR11000076 TR31000137	TRANSISTOR 2SC2362F TRANSISTOR 2SA1209-ST TRANSISTOR 2SC2911-ST TRANSISTOR T2SA1376T-LKU TRANSISTOR T2SC3478T-LKU
Q412 Q413 Q414, 416 Q415, 417 Q418	TR10000291 TR30000560 TR10000278 TR30000534 TR11000039	TRANSISTOR 2SA1667 (O, Y) TRANSISTOR 2SC4381 (O, Y) TRANSISTOR 2SA1429 (O, P, Y) TRANSISTOR 2SC3856 (O, P, Y) TRANSISTOR 2SA1016F
R501 R502 R503 R504 R505-507	RL81001610 RL84700614 RL83302613 RM81651618 RL81501618	R, METAL MK2001KFE R, METAL MK2470RFE R, METAL MK2033KFE R, METAL MK21K65FECZ. R, METAL MK201K5FE
R508 R509, 510 R511 R512, 513 R514	RM89760615 RL82200614 RL84702611 RL81000671 RL81202615	R, METAL MK2976RFEFECZ. R, METAL MK2220RFE R, METAL MK2047KFE R, METAL MK2100RFE R, METAL MK2012KFE
R515 R516 R517, 518 R519 R520-523	RL84701618 RM82802616 RL81001610 RL84709617 RS20228230	R, METAL MK204K7FE R, METAL MK228K0FECZ. R, METAL MK2001KFE R, METAL MK2047RFE R, SQUARE TYPE MPC70-0.22
R524 R525, 526 R527 R528 R529, 530	RM93508226 RL83309619 RM51210818 RM52210814 RL81004611	R, METAL 3.5J 2W R, METAL MK2033RFE R, METAL 121 F 1/4W R, METAL 221 F 1/4W R, METAL MK2001MFE
R531, 532 R533 R534 R535 R536	RL81003618 RL84703615 RM52213815 RM53570814 RM56810812	R, METAL MK2100KFE R, METAL MK2470KFE R, METAL 221K 1/4W R, METAL 357 F 1/4W R, METAL 681 F 1/4W
R537 R538 R539 C501 C502	RM58251814 RM92201125 RM58251814 CE54707478 CP76811359	R, METAL 8.25K F 1/4W R, METAL 2.2K J 1/4W R, METAL 8.25K F 1/4W R, METAL 50BGF4R7M CAP, P.P 100V 680P
C503 C504 C505 C506 C507, 508	CS32211306 CE51005679 CE51006477 CS33311310 CS32211306	CAP, POLYSTYRENE 160V 220PF CAP, ELEC. 25BGF100M CAP, ELEC. 50BGF10M CAP, POLYSTYRENE 160V 330PF CAP, POLYSTYRENE 160V 220PF
C509 C510 C511, 512	CC45013484 CP62208330 CE01005635	CAP, CERAMIC 50V 5PF CAP, M.P. 100V 0.22uF K CAP, ELEC. 63V 100uF

# Parts List

SYMBOL	PARTS NO.	DESCRIPTION
C514	CE41005257	CAP,ELEC. 25V 100uF
C515, 516	CM11008422	CAP,MYLAR 50V 104 J
C517, 518	CE41006500	CAP,ELEC. 50V 10uF
C519	CE41005257	CAP,ELEC. 25V 100uF
VR501	RV40000022	R,SEMI-FIXED VM6CKPV-1S-B 2.2K
L501	LC23310002	ANTI-PARASITIC COIL TRL-331
D501-504	DD80000021	DIODE DETECT IN4148-86
D505, 506	DD80000010	DIODE DETECT IN4003-TB
D507, 508	DD80000021	DIODE DETECT IN4148-86
D509	DD20000624	DIODE ZENER RD24JS-T1
D510	DD80000021	DIODE DETECT IN4148-86
TH501	DD60000260	THERMISTOR TD5C350D
IC501	IC00000019	IC LA6458D
5401, 502	TR31000083	TRANSISTOR 2SC2362F
Q503-505	TR11000039	TRANSISTOR 2SA1016F
Q506	TR31000083	TRANSISTOR 2SC2362F
Q507	TR10000217	TRANSISTOR 2SA1209-ST
Q508	TR30000571	TRANSISTOR 2SC2911-ST
Q510	TR11000076	TRANSISTOR T2SA1376T-LKU
Q511	TR31000137	TRANSISTOR T2SC3478T-LKU
Q512	TR10000291	TRANSISTOR 2SA1667 (O,Y)
Q513	TR30000560	TRANSISTOR 2SC4381 (O,Y)
Q514, 516	TR10000278	TRANSISTOR 2SA1429(O,P,Y)
Q515, 517	TR30000534	TRANSISTOR 2SC3856 (O,P,Y)
Q518	TR11000039	TRANSISTOR 2SA1016F
Q519	TR31000034	TRANSISTOR 2SC536G-NP-AA
Q520	TR31000083	TRANSISTOR 2SC2362F
	AF401224 PCB	ASSEMBLY
R101	RL81001610	R,METAL MK2001KFE
R102	RL84700614	R,METAL MK2470RFE
R103	RL83302613	R,METAL MK2033KFE
R104	RM81651618	R,METAL MK21K65FECZ.
R105-107	RL81501618	R,METAL MK201K5FE
R108	RM89760615	R,METAL MK2976RFEFZ.
R109, 110	RL82200614	R,METAL MK2220RFE
R111	RL84702611	R,METAL MK2047KFE
R112, 113	RL81000671	R,METAL MK2100RFE
R114	RL86801616	R,METAL MK206K8FE
R115	RL84701618	R,METAL MK204K7FE
R116	RM82802616	R,METAL MK228K0FECZ.
R117, 118	RL81001610	R,METAL MK2001KFE
R119	RL84709617	R,METAL MK2047RFE
R120-123	RS20228230	R,SQUARE TYPE MPC70-0.22
R124	RM93508226	R,METAL 3.5J 2W
R125, 126	RL83309619	R,METAL MK2033RFE
R127	RM51210818	R,METAL 121 F 1/4W
R128	RM52210814	R,METAL 221 F 1/4W
R129, 130	RL81004611	R,METAL MK2001MFE
R131, 132	RL81003618	R,METAL MK2100KFE
R133	RL84703615	R,METAL MK2470KFE
C101	CE54707478	R,METAL 50BGF4R7M
C102	CP76811359	CAP,P.P 100V 680P
C103	CS32211306	CAP,POLYSTYRENE 160V 220PF
C104	CE51005679	CAP,ELEC. 25BGF100M
C105	CE51006477	CAP,ELEC. 50BGF10M
C106	CS33311310	CAP,POLYSTYRENE 160V 330PF
C107, 108	CS32211306	CAP,POLYSTYRENE 160V 220PF
C109	CC45013484	CAP,CERAMIC 50V 5PF
C110	CP62208330	CAP,M.P. 100V 0.22uF K
C111, 112	CE01005635	CAP,ELEC. 63V 100uF
C115, 116	CM11008422	CAP,MYLAR 50V 104 J
C117, 118	CE41006500	CAP,ELEC. 50V 10uF
C114, 119	CE41005257	CAP,ELEC. 25V 100uF
VR101	RV40000022	R,SEMI-FIXED VM6CKPV-1S-B 2.2K
RY001	LY00000277	RELAY RY-24W-K !
L101	LC23310002	ANTI-PARASITIC COIL TRL-331
D101-104	DD80000021	DIODE DETECT IN4148-86

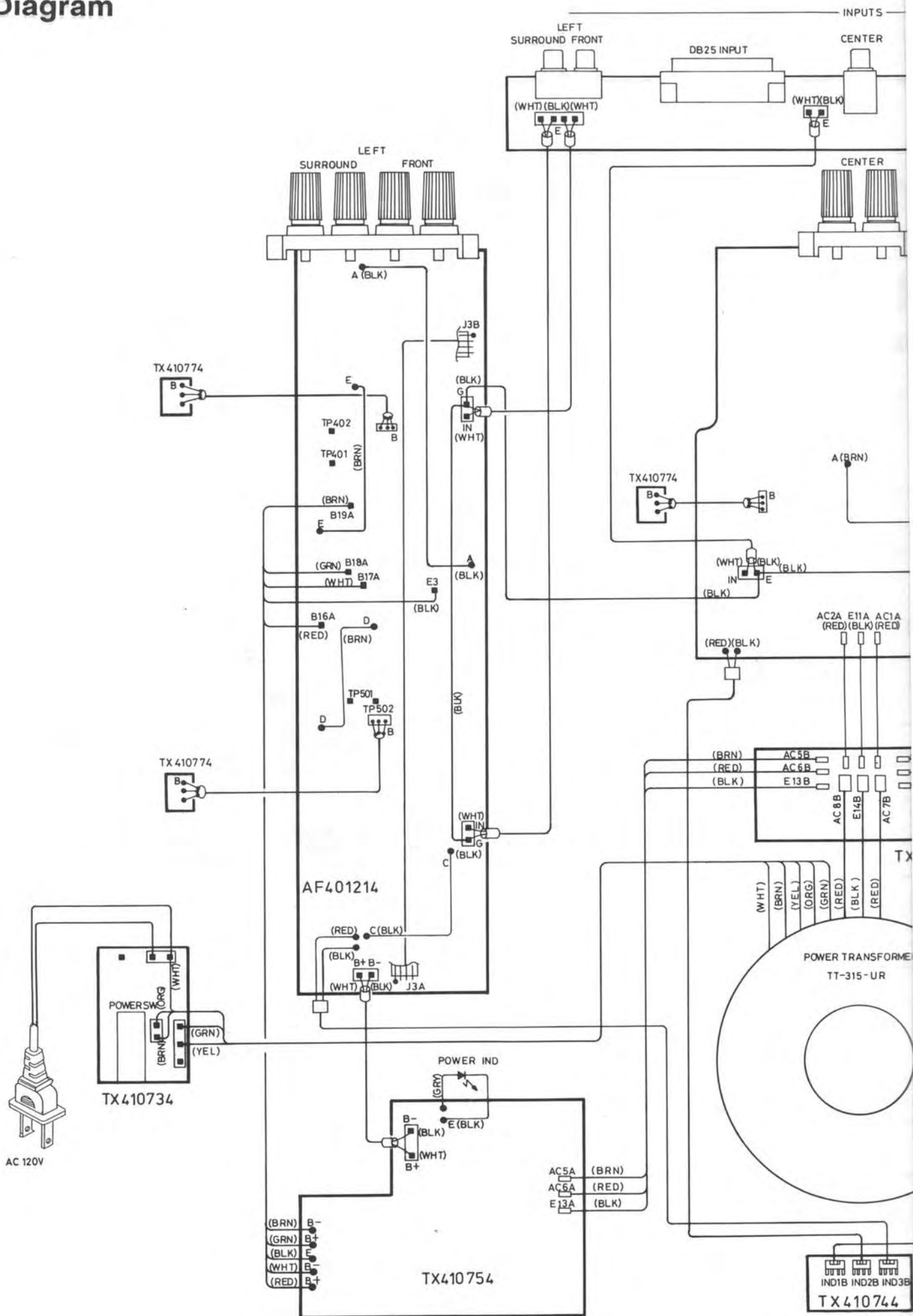
SYMBOL	PARTS NO.	DESCRIPTION
D105, 106	DD80000010	DIODE DETECT IN4003-TB
D110	DD80000021	DIODE DETECT IN4148-86
IC101	IC00000019	IC LA6458D
Q101, 102	TR31000083	TRANSISTOR 2SC2362F
Q103-105	TR11000039	TRANSISTOR 2SA1016F
Q106	TR31000083	TRANSISTOR 2SC2362F
Q107	TR10000217	TRANSISTOR 2SA1209-ST
Q108	TR30000571	TRANSISTOR 2SC2911-ST
Q110	TR11000076	TRANSISTOR T2SA1376T-LKU
Q111	TR31000137	TRANSISTOR T2SC3478T-LKU
Q112	TR10000291	TRANSISTOR 2SA1667 (O,Y)
Q113	TR30000560	TRANSISTOR 2SC4381 (O,Y)
Q114, 116	TR10000278	TRANSISTOR 2SA1429(O,P,Y)
Q115, 117	TR30000534	TRANSISTOR 2SC3856 (O,P,Y)
Q118	TR11000039	TRANSISTOR 2SA1016F
TH101	DD60000260	THERMISTOR TD5C350D
R201	RL81001610	R,METAL MK2001KFE
R202	RL84700614	R,METAL MK2470RFE
R203	RL83302613	R,METAL MK2033KFE
R204	RM81651618	R,METAL MK21K65FECZ.
R205-207	RL81501618	R,METAL MK201K5FE
R208	RM89760615	R,METAL MK2976RFEFZ.
R209, 210	RL82200614	R,METAL MK2220RFE
R211	RL84702611	R,METAL MK2047KFE
R212, 213	RL81000671	R,METAL MK2100RFE
R214	RL86801616	R,METAL MK206K8FE
R215	RL84701618	R,METAL MK204K7FE
R216	RM82802616	R,METAL MK228K0FECZ.
R217, 218	RL81001610	R,METAL MK2001KFE
R219	RL84709617	R,METAL MK2047RFE
R220-223	RS20228230	R,SQUARE TYPE MPC70-0.22
R224	RM93508226	R,METAL 3.5J 2W
R225, 226	RL83309619	R,METAL MK2033RFE
R227	RM51210818	R,METAL 121 F 1/4W
R228	RM52210814	R,METAL 221 F 1/4W
R229, 230	RL81004611	R,METAL MK2001MFE
R231, 232	RL81003618	R,METAL MK2100KFE
R233	RL84703615	R,METAL MK2470KFE
R234	RM52213815	R,METAL 221K 1/4W
R235	RM53570814	R,METAL 357 F 1/4W
R236	RM56810812	R,METAL 681 F 1/4W
R237	RM58251814	R,METAL 8.25K F 1/4W
R238	RM92201125	R,METAL 2.2K J 1/4W
R239	RM58251814	R,METAL 8.25K F 1/4W
C201	CE54707478	R,METAL 50BGF4R7M
C202	CP76811359	CAP,P.P 100V 680P
C203	CS32211306	CAP,POLYSTYRENE 160V 220PF
C204	CE51005679	CAP,ELEC. 25BGF100M
C205	CE51006477	CAP,ELEC. 50BGF10M
C206	CS33311310	CAP,POLYSTYRENE 160V 330PF
C207, 208	CS32211306	CAP,POLYSTYRENE 160V 220PF
C209	CC45013484	CAP,CERAMIC 50V 5PF
C210	CP62208330	CAP,M.P. 100V 0.22uF K
C211, 212	CE01005635	CAP,ELEC. 63V 100uF
C213	CE42206507	CAP,ELEC. 50V 22uF
C214	CE41005257	CAP,ELEC. 25V 100uF
C215, 216	CM11008422	CAP,MYLAR 50V 104 J
C217, 218	CE41006500	CAP,ELEC. 50V 10uF
C219	CE41005257	CAP,ELEC. 25V 100uF
VR201	RV40000022	R,SEMI-FIXED VM6CKPV-1S-B 2.2K
L201	LC23310002	ANTI-PARASITIC COIL TRL-331
D201-204	DD80000021	DIODE DETECT IN4148-86
D205, 206	DD80000010	DIODE DETECT IN4003-TB
D207, 208	DD80000021	DIODE DETECT IN4148-86
D209	DD20000624	DIODE ZENER RD24JS-T1
D210	DD80000021	DIODE DETECT IN4148-86
IC201	IC00000019	IC LA6458D

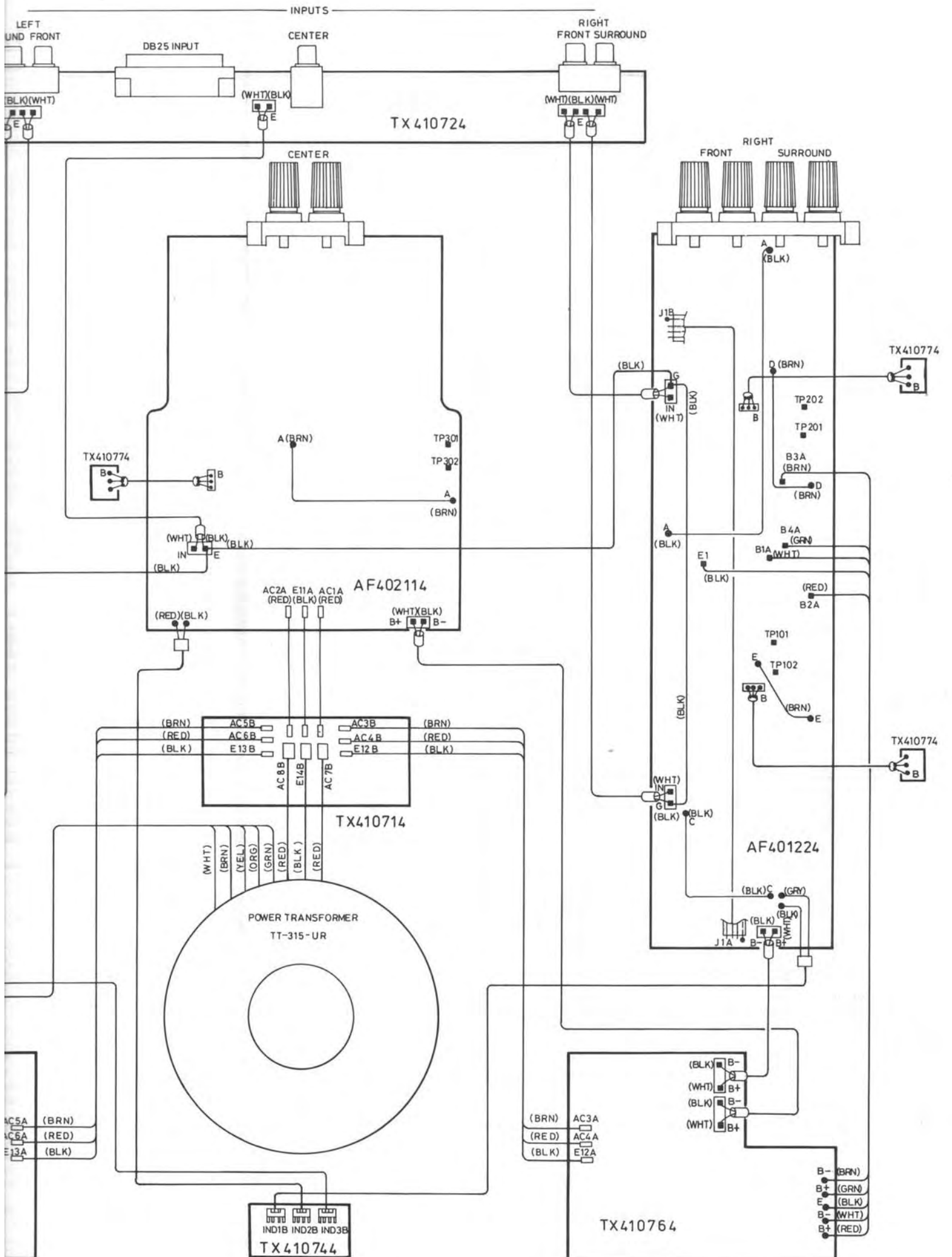
# Parts List

SYMBOL	PARTS NO.	DESCRIPTION
Q202, 202	TR31000083	TRANSISTOR 2SC2362F
Q203-205	TR11000039	TRANSISTOR 2SA1016F
Q206	TR31000083	TRANSISTOR 2SC2362F
Q207	TR10000217	TRANSISTOR 2SA1209-ST
Q208	TR30000571	TRANSISTOR 2SC2911-ST
Q210	TR11000076	TRANSISTOR T2SA1376T-LKU
Q211	TR31000137	TRANSISTOR T2SC3478T-LKU
Q212	TR10000291	TRANSISTOR 2SA1667 (O, Y)
Q213	TR30000560	TRANSISTOR 2SC4381 (O, Y)
Q214, 216	TR10000278	TRANSISTOR 2SA1429(O, P, Y)
Q215, 217	TR30000534	TRANSISTOR 2SC3856 (O, P, Y)
Q218	TR11000039	TRANSISTOR 2SA1016F
Q219	TR31000034	TRANSISTOR 2SC536G-NP-AA
Q220	TR31000083	TRANSISTOR 2SC2362F
	AF402114	PCB ASSEMBLY
R301	RL81001610	R, METAL MK2001KFE
R302	RL84700614	R, METAL MK247ORFE
R303	RL83302613	R, METAL MK2033KFE
R304	RM81651618	R, METAL MK21K65FE CZ.
R305-307	RL81501618	R, METAL MK201K5FE
R308	RM89760615	R, METAL MK2976FE CZ.
R309	RL82200614	R, METAL MK2220RFE
R311	RL84702611	R, METAL MK2047KFE
R312, 313	RL81000617	R, METAL MK2100RFE
R314	RL86801616	R, METAL MK206K8FE
R315	RL84701618	R, METAL MK204K7FE
R317	RM81651618	R, METAL MK228K0FE CZ.
R319	RL84709617	R, METAL MK2047RFE
R318	RL81001610	R, METAL MK2001KFE
R320-323	RS20228230	R, SQUARE TYPE MPC70-0.22
R324	RM93508226	R, METAL 3.5 J 2W
R325, 326	RL83309619	R, METAL MK2033RFE
R327	RM51210818	R, METAL 121 F 1/4W
R328	RM52210814	R, METAL 221 F 1/4W
R329, 330	RL81004611	R, METAL MK2001MFE
R331	RL81003618	R, METAL MK2100KFE
R334	RL81003618	R, METAL MK2100KFE
R335	RM53570814	R, METAL 357 F 1/4W
R336	RL81001610	R, METAL MK2001KFE
R337	RM58251814	R, METAL 8.25K F 1/4W
R338	RM92201125	R, METAL 2.2K 1W
R339	RM58251814	R, METAL 8.25K F 1/4W
R340	RL84703615	R, METAL MK2470KFE
R341	RM56810812	R, METAL 681 F 1/4W
R342	RM52213815	R, METAL 221K 1/4W
R343, 344	RM15601220	R, METAL 5.6K 2W
C301	CE54707478	CAP, ELEC. 50BGF4R7M
C302	CP76811359	CAP, P.P TFKP2-100V681H
C303	CS32211306	CAP, POLYSTYRENE 160V 220P
C304	CE51005679	CAP, ELEC. 25BGF100M
C305	CE51006477	CAP, ELEC. 50BGF10M
C306	CS33311310	CAP, POLYSTYRENE 160V 330P
C307, 308	CS32211306	CAP, POLYSTYRENE 160V 220P
C309	CC45013484	CAP, CERAMIC 50V 5P
C310	CP62208330	CAP, M.P MKT-18-100V224K
C312	CE01005635	CAP, ELEC. 63V 100uF
C314	CE41005257	CAP, ELEC. 25V 100uF
C315, 316	CM11008422	CAP, MYLAR 50V 104 J
C317, 318	CE41006500	CAP, ELEC. 50V 10uF
C319	CE41005257	CAP, ELEC. 25V 100uF
C320	CE42206507	CAP, ELEC. 50V 22uF
C321-324	CC41009164	CAP, CERAMIC 50V 0.01uF
C325, 326	CE11003441	CAP, ELEC. 63V 10000uF $\Delta$
C327	CE01005635	CAP, ELEC. 63V 100uF
L301	LC23310002	ANTI-PARASITIC TRL-331
VR301	RV40000022	R, SEMI-FIXED VM6CKPV-1S-B 2.2K

SYMBOL	PARTS NO.	DESCRIPTION
RY002	LY00000277	RELAY RY-24W-K $\Delta$
IC301	IC00000019	IC NJM4558DD
TH301	DD60000260	THERMISTOR TD5C350D
Q301, 302	TR31000083	TRANSISTOR 2SC2362F
Q303-305	TR11000039	TRANSISTOR 2SA1016F
Q306	TR31000083	TRANSISTOR 2SC2362F
Q307	TR10000217	TRANSISTOR 2SA1209-ST
Q308	TR30000571	TRANSISTOR 2SC2911-ST
Q310	TR11000076	TRANSISTOR T2SA1376T-LKU
Q311	TR31000137	TRANSISTOR T2SC3478T-LKU
Q312	TR10000291	TRANSISTOR 2SA1667 (O, Y)
Q313	TR30000560	TRANSISTOR 2SC4381 (O, Y)
Q314, 316	TR10000278	POWER TRANSISTOR 2SA1492 $\Delta$
Q315, 317	TR30000534	POWER TRANSISTOR 2SC3856 $\Delta$
Q318	TR11000039	TRANSISTOR 2SA1016F
Q319	TR31000034	TRANSISTOR 2SC536G-NP-AA
Q320	TR31000083	TRANSISTOR 2SC2362F
D301-304	DD80000021	DIODE DETECT IN4148-86
D305, 306	DD80000010	DIODE DETECT IN4003-TB
D308	DD80000021	DIODE DETECT IN4148-86
D309	DD20000624	DIODE ZENER RD24JS-T1
D310, 311	DD80000021	DIODE DETECT IN4148-86
D312	DD10000147	DIODE KBPC-802 $\Delta$
F301, 302	FU25000041	FUSE 125V 6A UL $\Delta$
	FU23000219	FUSE 250V T6.3A S $\Delta$
		OTHERS
	AB00000900	BOTTOM BOARD 2TPK-16
	AF20000362	FRONT CHASSIS 2TPK-2A
	AR20000814	PRINTED REAR CHASSIS TRP-674
	AS01000506	SIDE CHASSIS (L) 2TPK-12
	AS02000307	SIDE CHASSIS (R) 2TPK-13
	PT31516209	POWER TRANSFORMER TT-315-UR $\Delta$
	BU00001406	INSULATION RING 4TR-3071
	FT00000229	PLASTIC FOOT 4TSH-19#2 50F $\times$ 14
	SP10007203	P.T SUPPORT (A) 3TPK-5
	SP10007215	P.T SUPPORT (B) 3TPK-7
	SP10007379	P.C.B CENTER SUPPORT (L) 2TPK-15
	SP10007380	P.C.B CENTER SUPPORT (R) 2TPK-14
	SP40000917	P.T SHIELD BOARD 4TPK-18
	SR00001345	SILICON RUBBER SPACER 4TPK-17
	CD00000231	AC CORD SPT-3 AWG#16 4TR-670#6 (U, C, A, J) !
	CD00000322	AC POWER CORD 4TR-2757(D) $\Delta$
	CD00000553	AC POWER CORD 4TR-3209 (H, E, S1, Y) $\Delta$
	CD00000115	AC POWER CORD C-3763-T(G1) $\Delta$
	CD00000516	AC CORD 4TR-3061 (K1) $\Delta$
	AA20000828	FRONT PANEL 2TPK-1
	BU00001145	POWER RING W/LED 4TQF-13
	KB20002681	POWER BUTTON 4TQF-15
	OM10001867	ORNAMENTAL SIDE BOARD 4TR-2979#4 H-127MM
	OM70000065	PUSH BUTTON CONNECTOR 4TTL-15
	SN00000179	BUTTON SPRING 4TR-1988#2
	AU000001420	UPPER BOARD 3TPK-6B
	FE00000080	FELT 4TR-1087
	MN10003621	OWNER'S MANUAL RB-985
	PL000001245	STYROL SIDE MOULDING 3TQZ-10 TZ-190

# Wiring Diagram

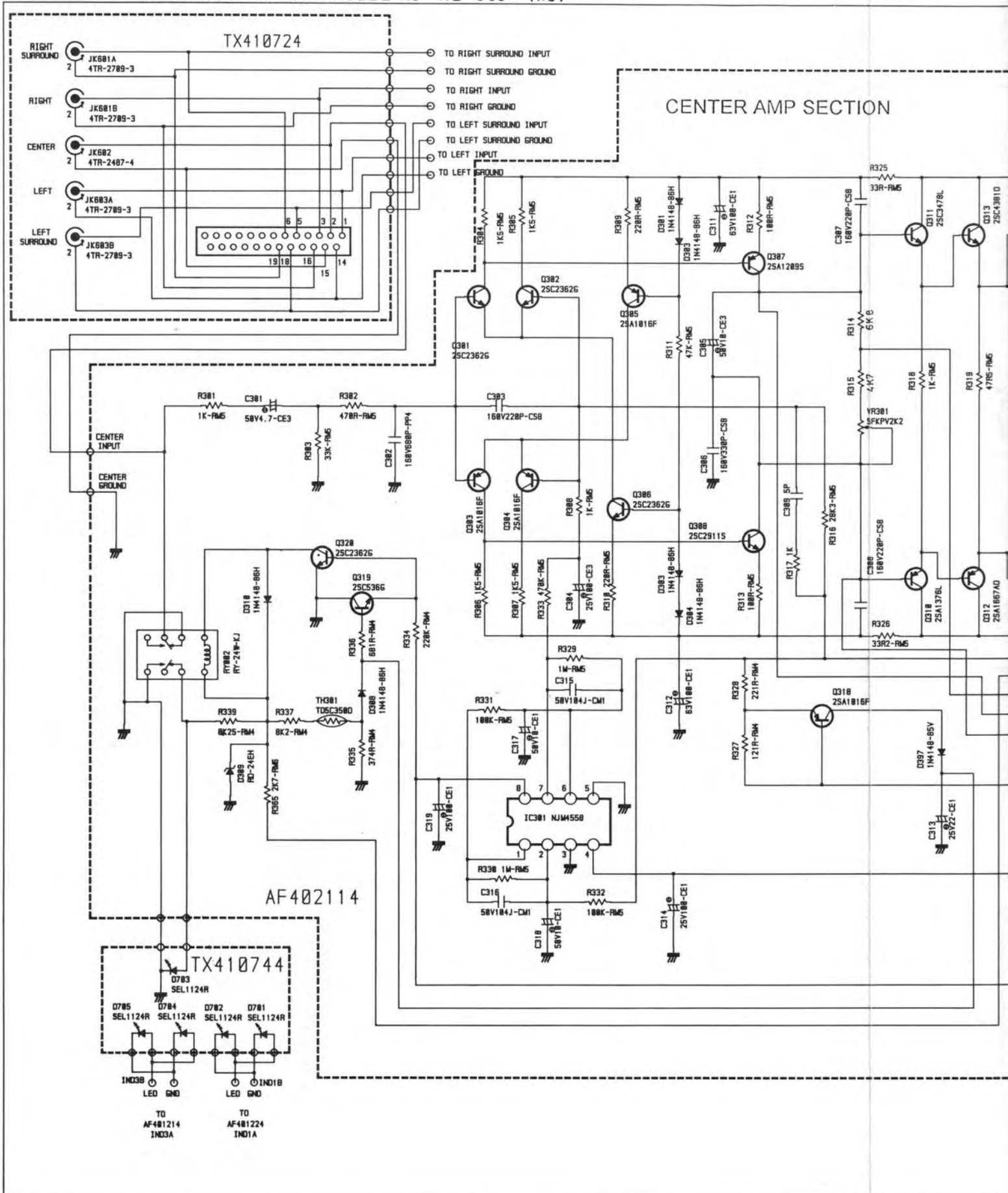




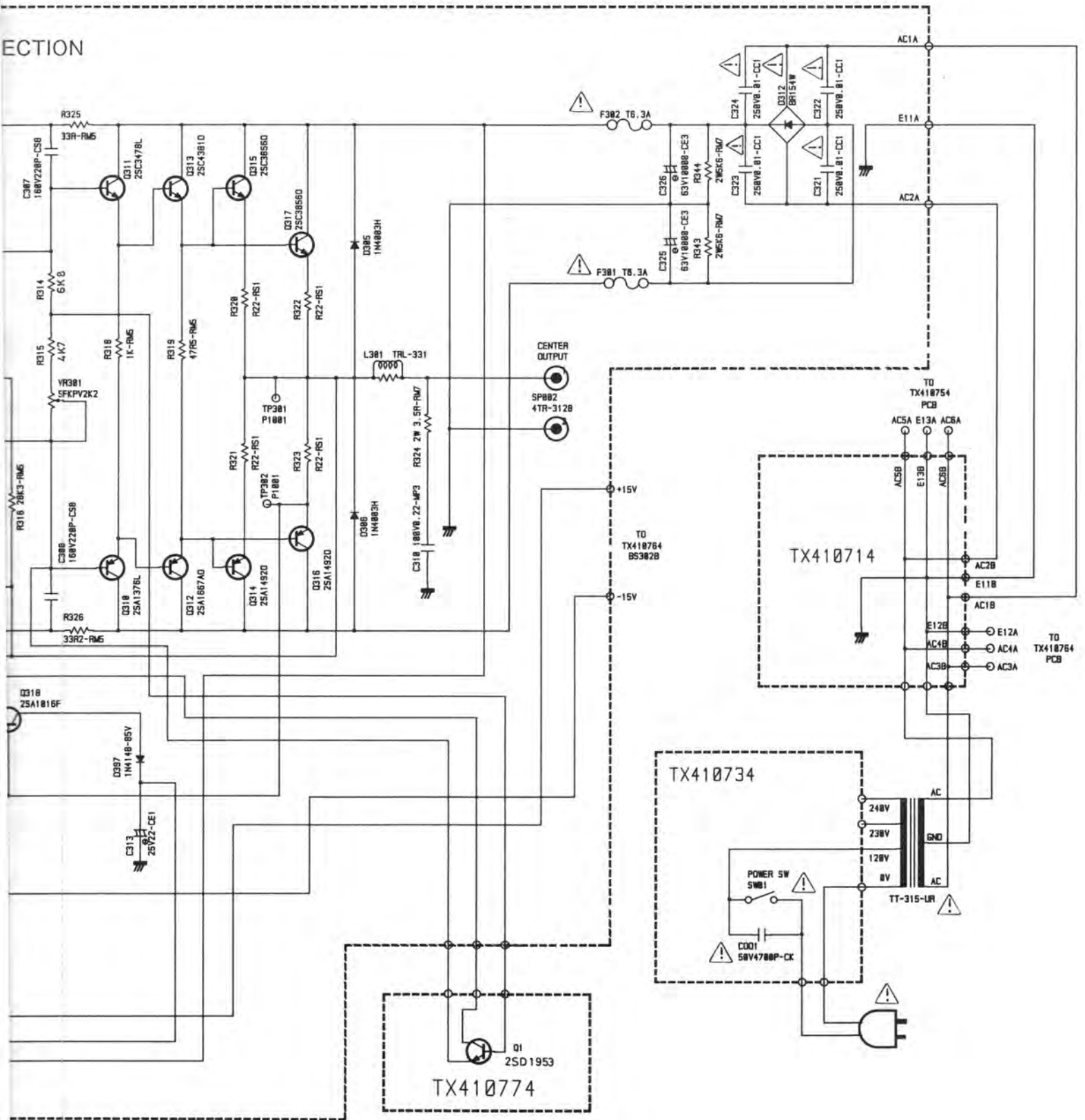


# Schematic Diagram

SCHEMATIC DIAGRAM MODEL NO RB-985 (1/3)

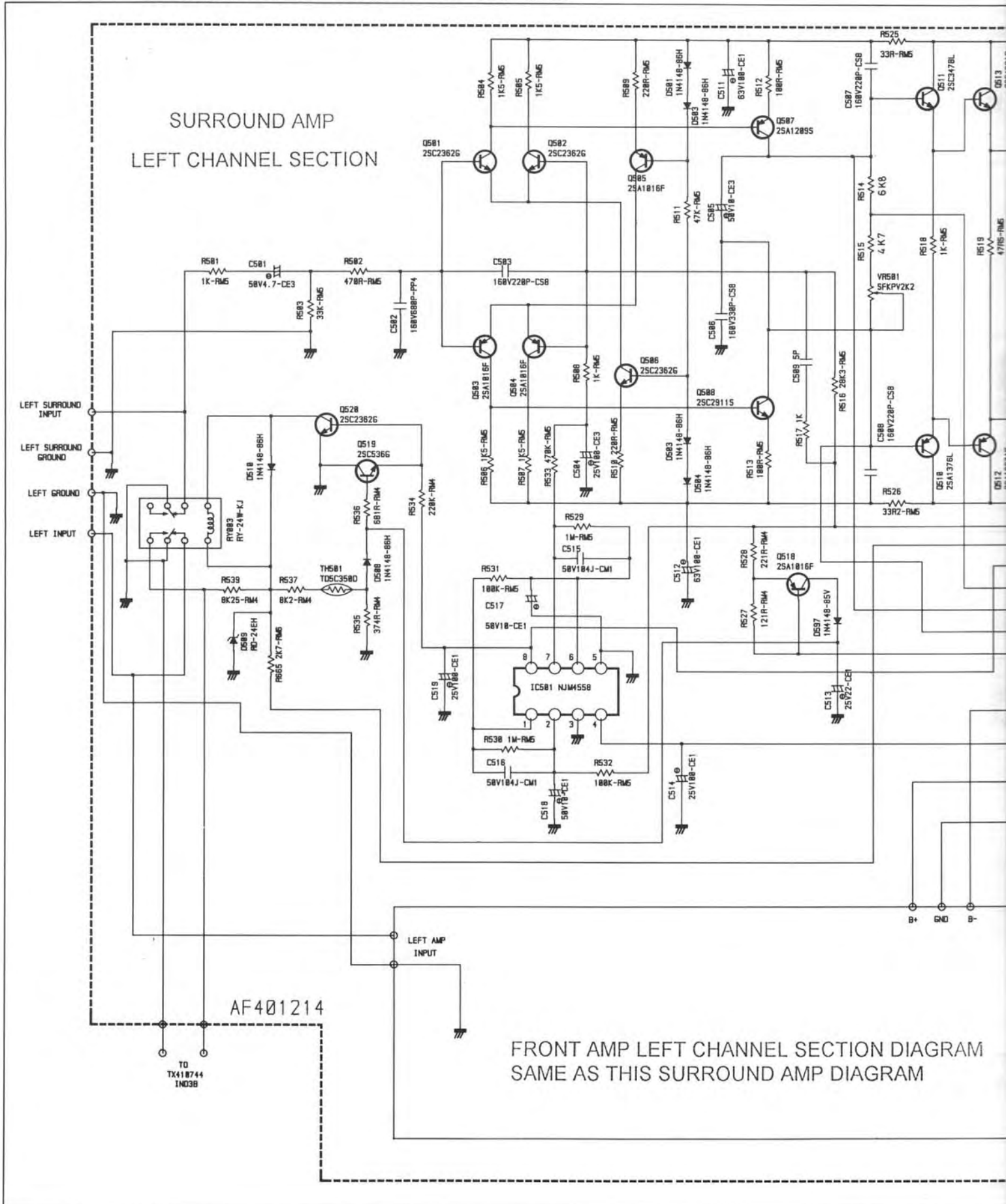


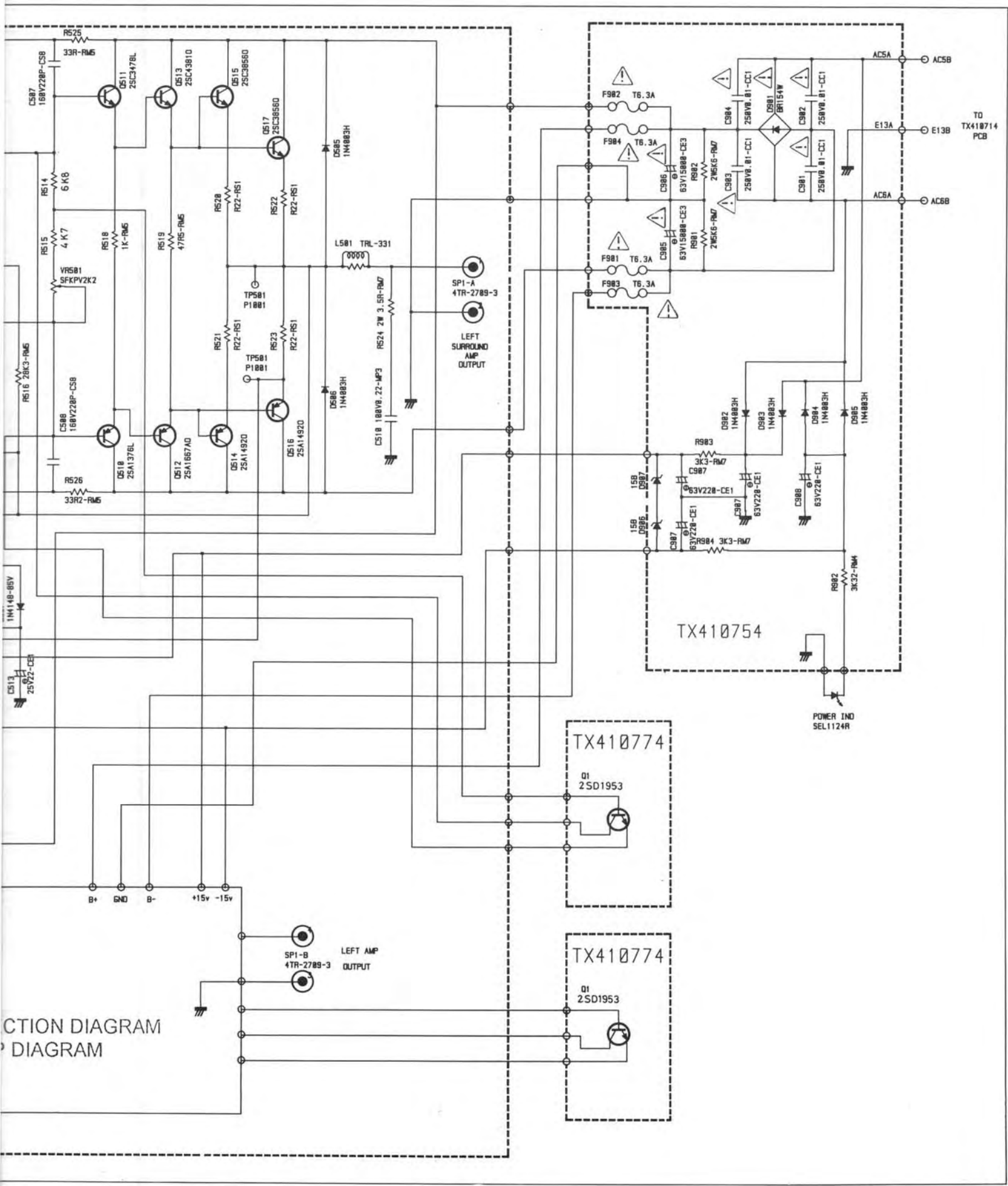
SECTION



# Schematic Diagram

SCHEMATIC DIAGRAM MODEL NO RB-985 (2/3)





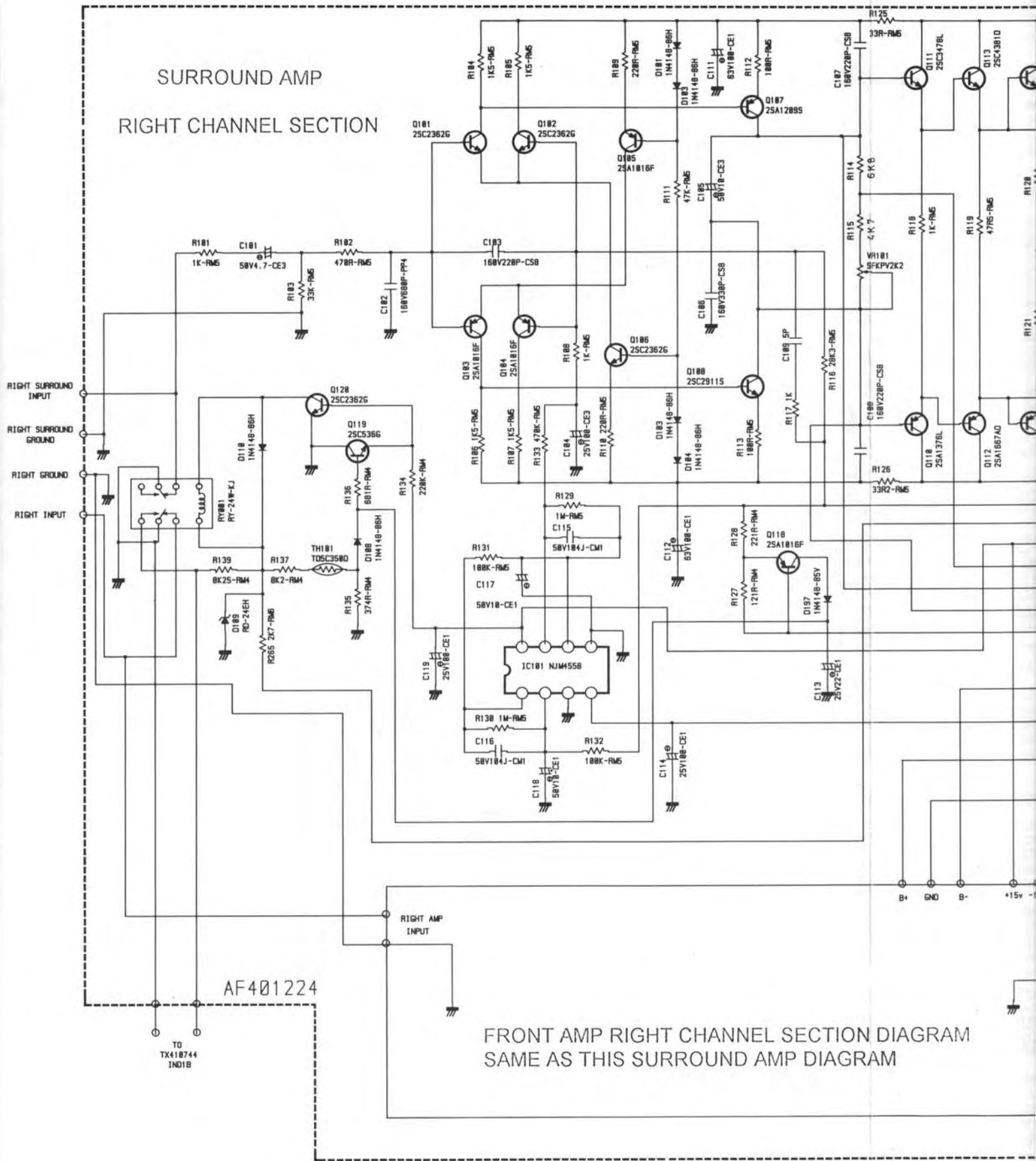
TO  
TX110714  
PCB

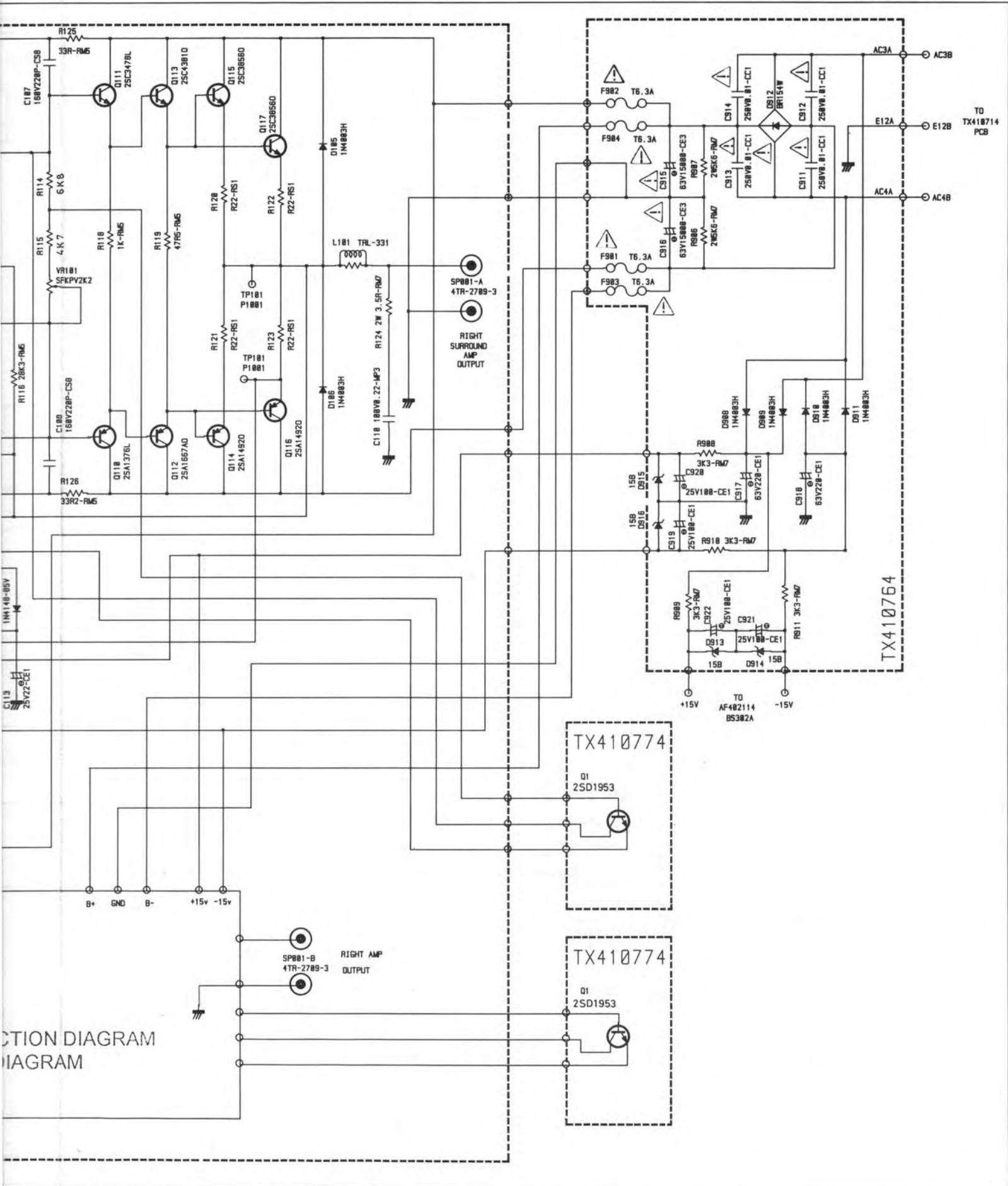
CTION DIAGRAM  
DIAGRAM

# Schematic Diagram

SCHEMATIC DIAGRAM MODEL NO RB-985 (3/3)

## SURROUND AMP RIGHT CHANNEL SECTION





CTION DIAGRAM  
IAGRAM

TO  
TX410714  
PCB

TX410764

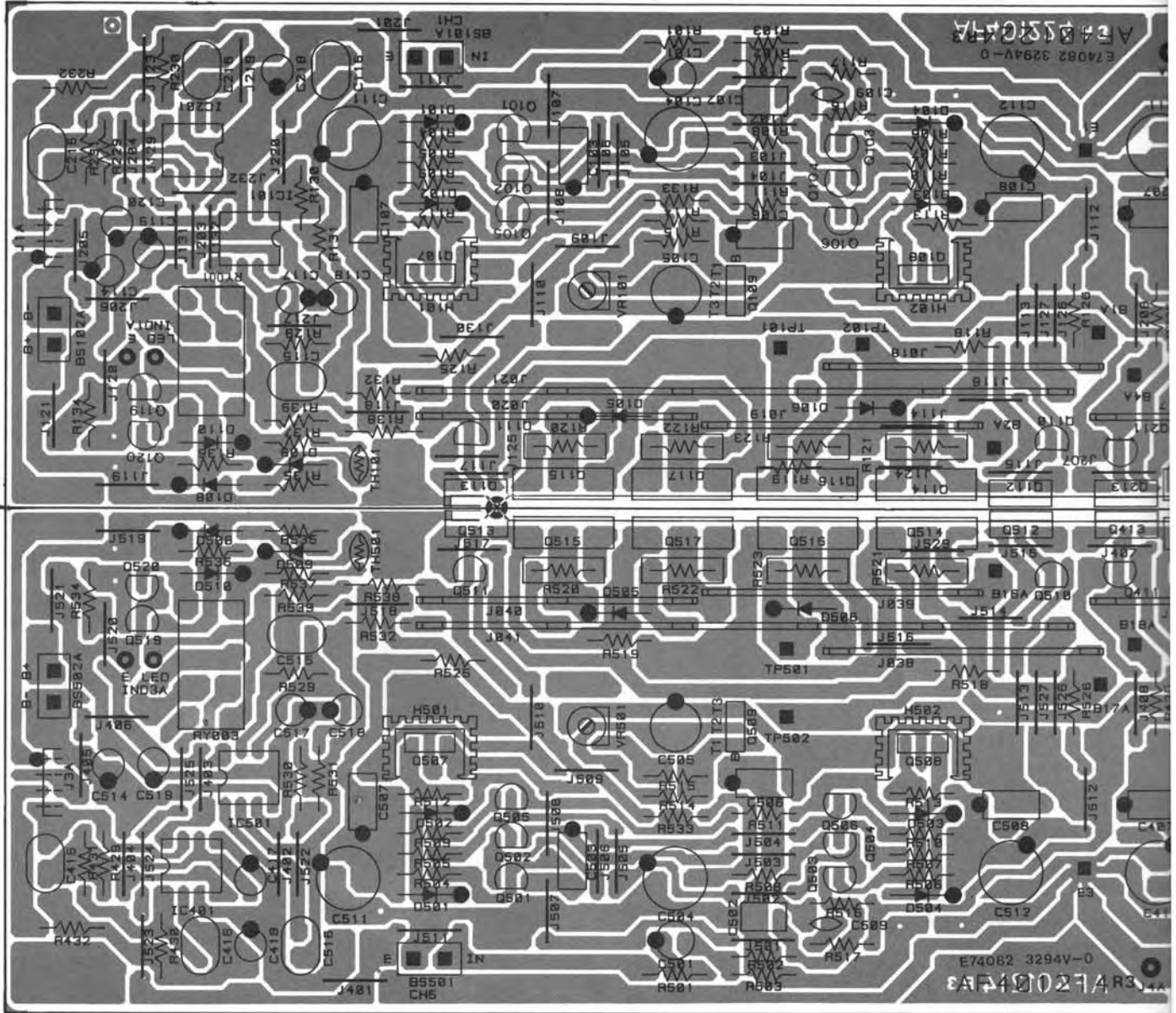
TX410774

TX410774

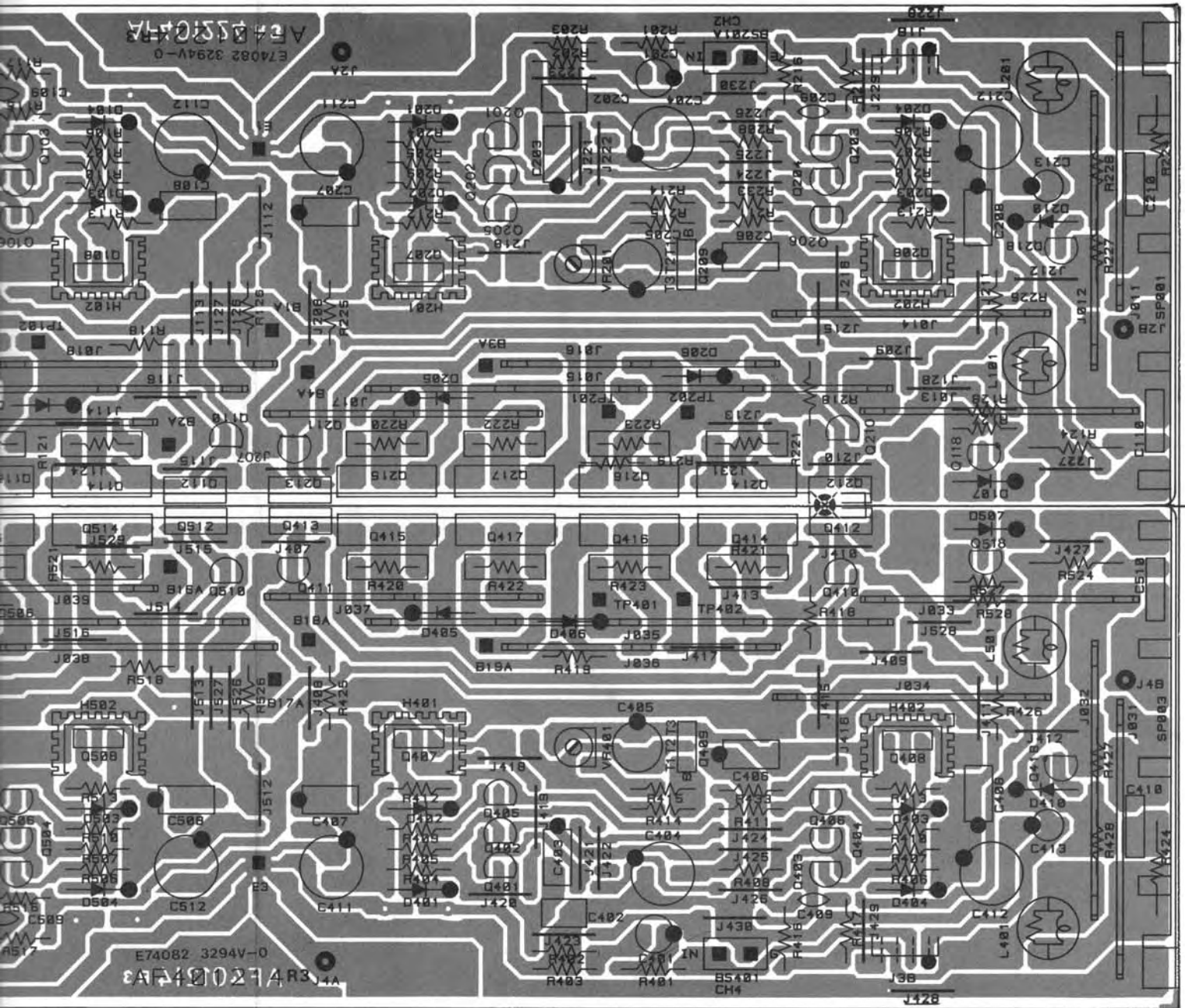
+15V  
TO  
AF482114  
B5382A  
-15V

# Printed Circuit Boards

## FRONT AND SURROUND AMP PCB RIGHT CHANNEL



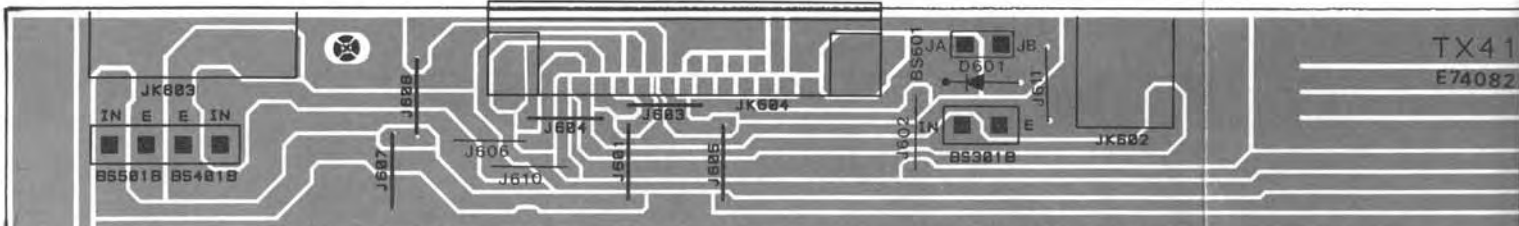
## FRONT AND SURROUND AMP PCB LEFT CHANNEL





# Printed Circuit Boards

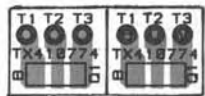
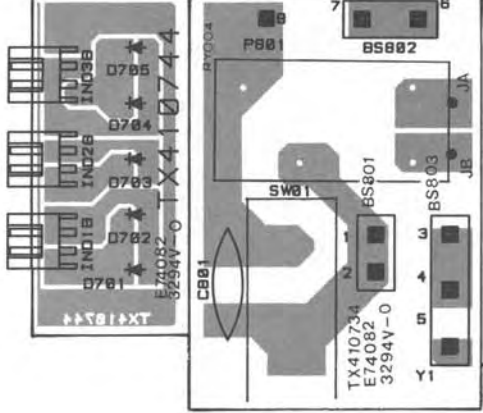
INPUT JACKS PCB



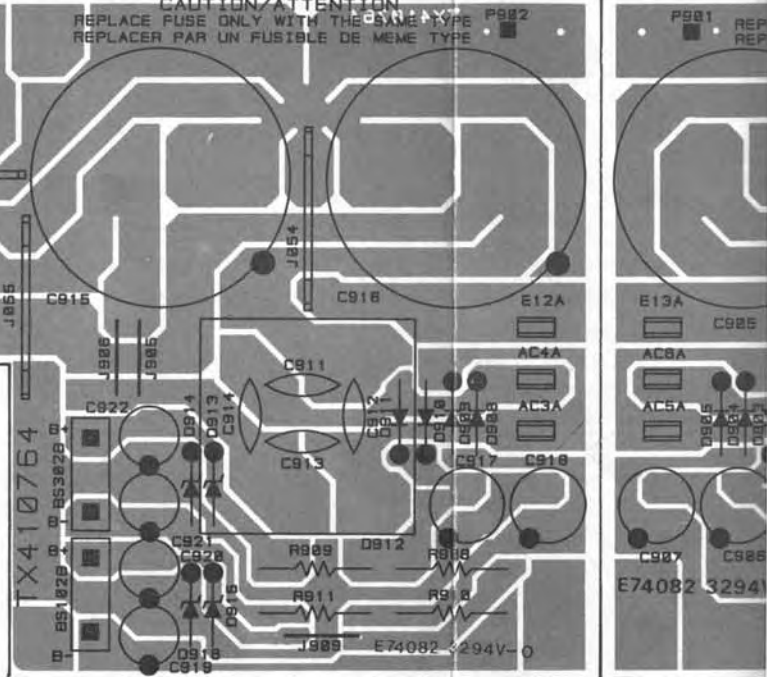
TX41  
E74082

CAUTION/ATTENTION  
REPLACE FUSE ONLY WITH THE SAME TYPE  
REPLACER PAR UN FUSIBLE DE MEME TYPE

POWER SWITCH PCB

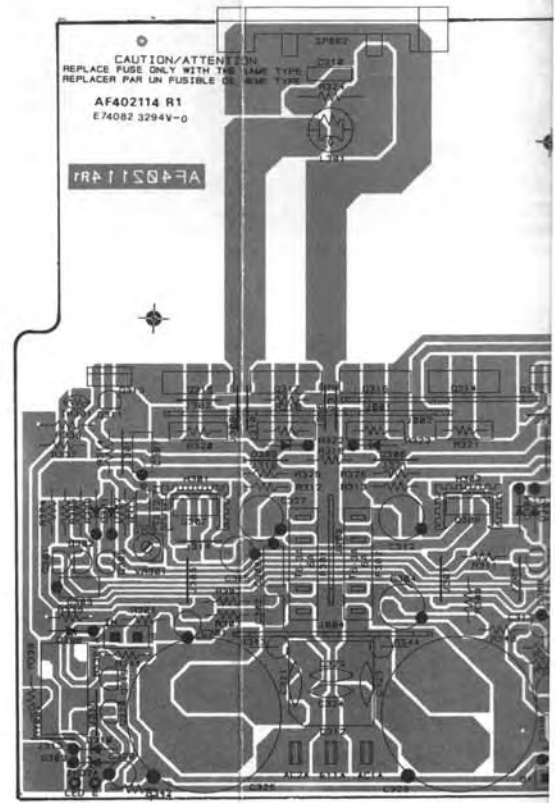


POWER SUPPLY PCB (RIGHT)

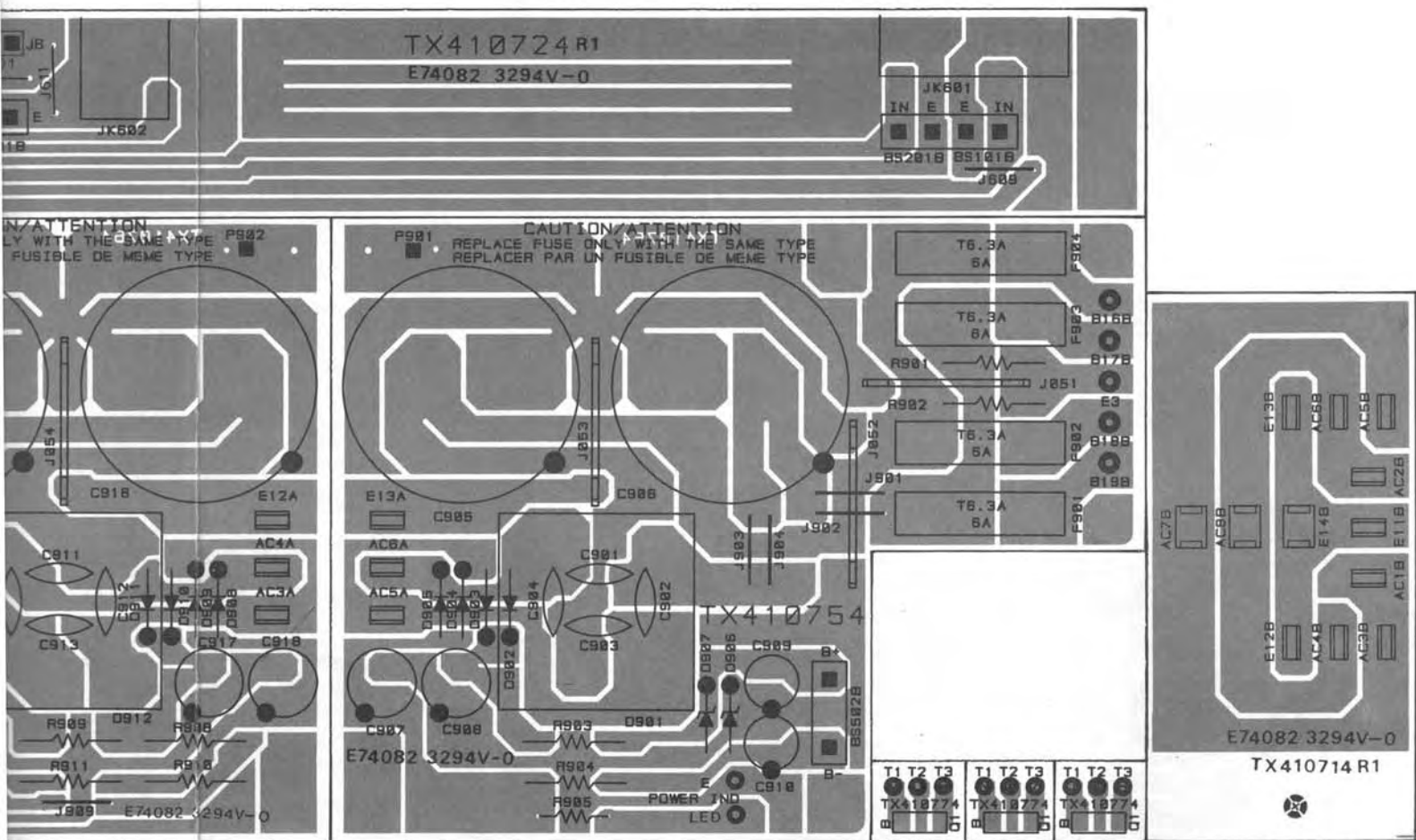


PO

CENTER AMP PCB



ACKS PCB



PLY PCB (RIGHT)

POWER SUPPLY PCB (LEFT)

